

# Electric towing tractor 10.0 ton



## **Simai**

*Three wheel-series*

TTE100



# Electric towing tractor 10.0 ton

Truck specifications					TTE100
Identification	1.1	Manufacturer			Simai S.p.A
	1.2	Model			TTE100
	1.3	Drive			Electric
	1.4	Operator type			Sit-on
	1.5	Load capacity/rated load	Q	kg	10 000
	1.7	Rated drawbar pull	F	N	2200
	1.9	Wheelbase	y	mm	1264
Weight	2.1	Service weight		kg	1370
	2.2	Axle load, with load, front/rear		kg	-
	2.3	Axle load, without load, front/rear		kg	585/785
Tyres	3.1	Tyre - Cushion(Cu), Superelastic(SE), Pneumatic(Pn), Polyurethane			SE/Pn
	3.2	Tyre - size, front			4.00-8
	3.3	Tyre - size, rear			18x7-8
	3.5	Wheels, number front/rear (x = driven wheels)			1/2X
	3.6	Track width, front	$b_{10}$	mm	-
	3.7	Track width, rear	$b_{11}$	mm	934
Dimensions	4.7	Height of cab	$h_6$	mm	-
	4.8	Seat height	$h_7$	mm	880
	4.12	Coupling height	$h_{10}$	mm	245-300-355
	4.13	Loading height, unloaded	$h_{11}$	mm	580
	4.16	Length of loading surface	$l_3$	mm	650
	4.17	Overhang	$l_5$	mm	371
	4.18	Width of loading surface	$b_9$	mm	900
	4.19	Overall length	$l_1$	mm	1996
	4.21	Overall width	$b_1$	mm	1090
	4.32	Ground clearance, centre of wheelbase	$m_2$	mm	105
	4.35	Turning radius	$W_a$	mm	2077/1495
4.36	Internal turning radius	$b_{13}$	mm	919	
Performance data	5.1	Travel speed, with/without load		km/h	8,5/18
	5.6	Max. drawbar pull		N	8000
	5.7	Gradeability		%	4/35
	5.8	Max. gradeability loaded/unloaded		%	
	5.10	Service / parking brake (I=Hydraulic E=Electromagnetic M=Mechanical)			I/E
Electric motor	6.1	Drive motor rating S2 60 min		kW	2x6,6
	6.4	Battery voltage, nominal capacity <sup>1)</sup>	$K_5$	V/Ah	48/420, 460, 500
	6.5	Battery weight		kg	667 - 700 - 731
	6.6	Energy consumption according to VDI cycle <sup>2)</sup>		kWh/h	
Others	8.1	Electronics control			Inverter AC
	8.4	Sound level at driver's ear according to EN 12053		dB(A)	69

<sup>1)</sup> Performances and weight are intended with 500 Ah battery.

<sup>2)</sup> Contact the supplier for information.

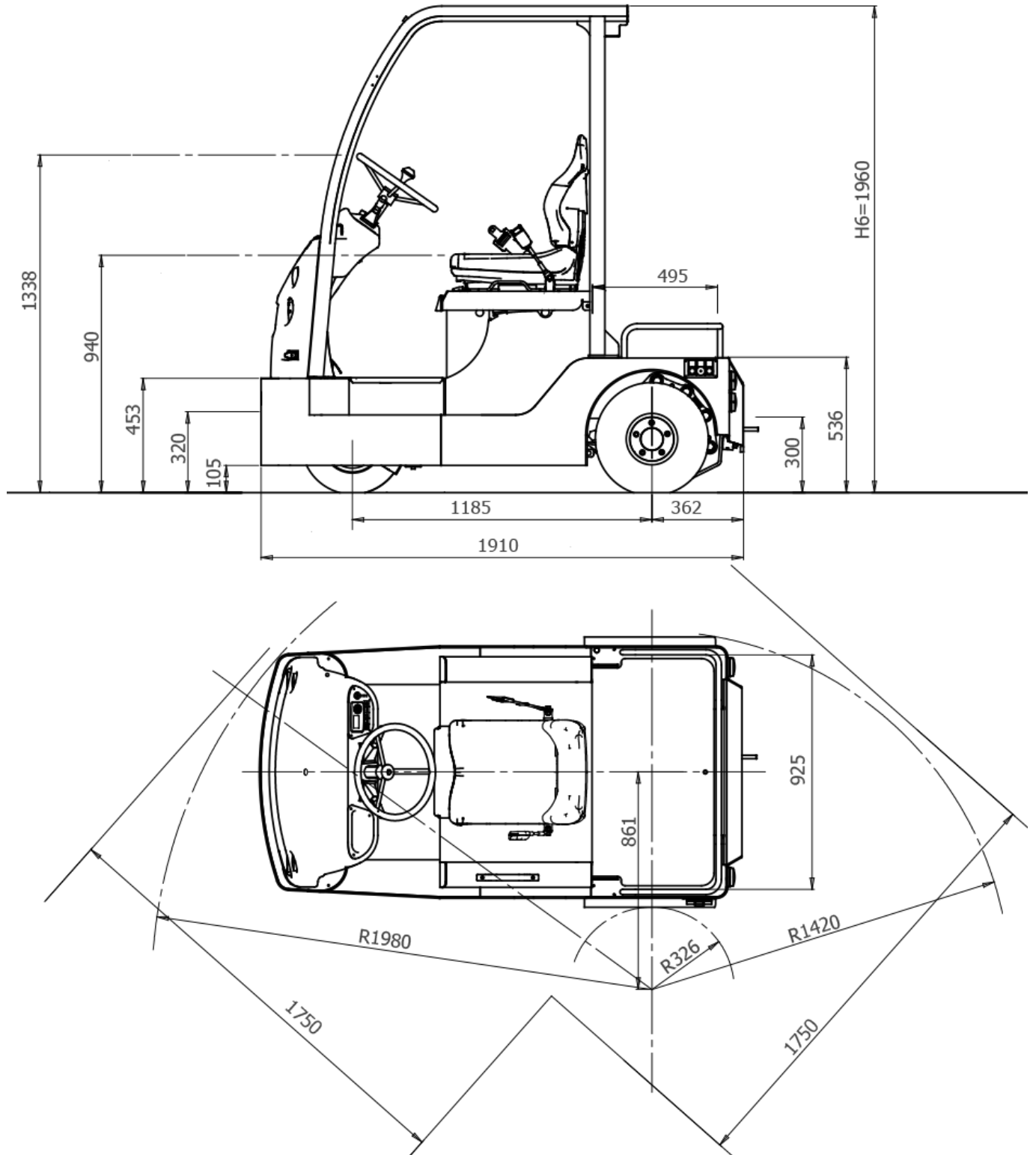
As per VDI guidelines 2198, this datasheet applies to standard electric tractor / platform truck only.

Dimensions are not binding and can be changed in any moment. The performances must be intended for brand new machines, after having completed the running-in tested in San Donato Milanese factory in normal climatic conditions.

Performances and weight are to be intended with standard motors and battery and with superelastic tires.

Some data can vary according to different equipments.

# Dimensional drawings



---

## Standard equipments:

- Inching buttons
- Electric steering
- AC power system
- Automatic speed reduction when turning
- Rear drawbar
- Automatic parking brake
- Load platform with 100 kg capacity
- Head and tail lights, turn signal lights
- Digital dashboard including battery charge level pilot, trouble shooting check system, speedometer and hourcounter

